

King WP 761

Power



Computer-controlled cold-cure molded foam is injected directly over the steel frame. This unique H2 technology provides superior and lasting comfort with an ergonomically correct body support throughout all areas of the recliner.

Adjustable headrest, with an infinite number of comfort positions, provides ultimate support for your neck while reading, watching television or resting.

Anatomically correct shaped interior steel frame with sinuous springs and a **patented built in dynamic lumbar support** system for optimal lower back support regardless of reclining position.

Low profile hard wood seat frame with enforced sinuous steel springs and high-density computer controlled injection molded foam provides superior seat comfort and durability.

Effortless reclining. Shift seating position and back rest angle with the push of a button.



Full **arm support** regardless of reclining position

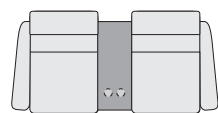
Smart storage for your power supply or battery pack on power recliners.

Clean back profile with an easy access to the Smart storage

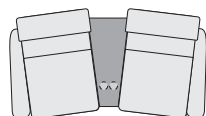


Power

- **Power recline**
- Extended Footrest
- Adjustable headrest
- Dynamic lumbar support
- Smart storage
- Battery option



S
Center arm
Straight



W
Center arm
Wedge

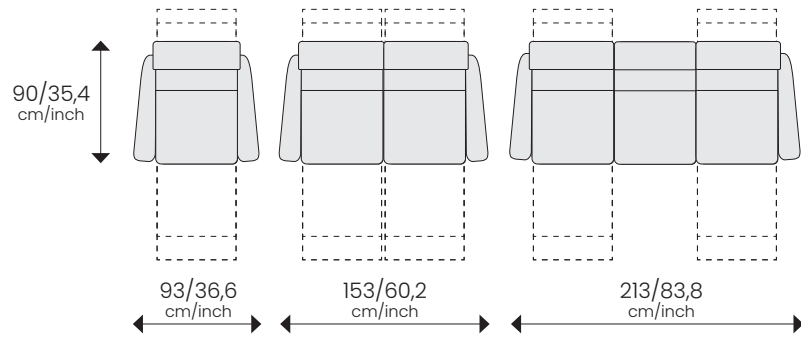
Standard chairs weight from 49 kg/108 lbs to 59 kg/130 lbs and Large chairs weight from 51 kg/112 lbs to 61 kg/134 lbs, depending upon selected functionality.

H2 recliners have been tested for 130 kg/287 lbs capacity.

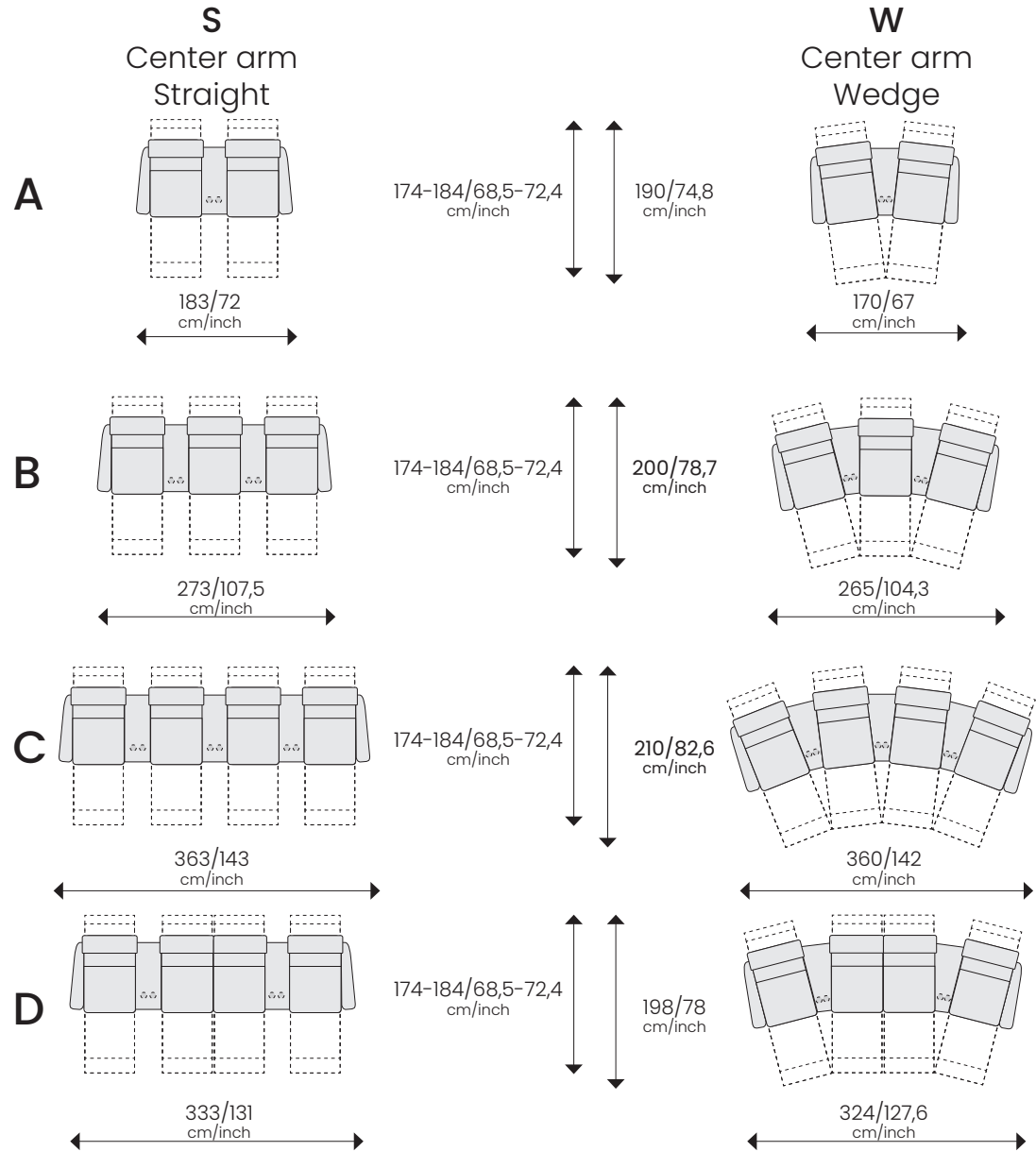
Stainless cupholders, storage consoles and USB/USB-c charging provides added comfort and convenience.



King WP 761



Seat depth: 54/21,3
 Seat height: 45/17,7
 Seat width: 60/23,6
 Seat + chaise depth : 107/42,1
 Total height: 106-117/41,7-46,1
 Wall clearance : 13/5



Dimension may vary with +/- 2 cm / 1 inch